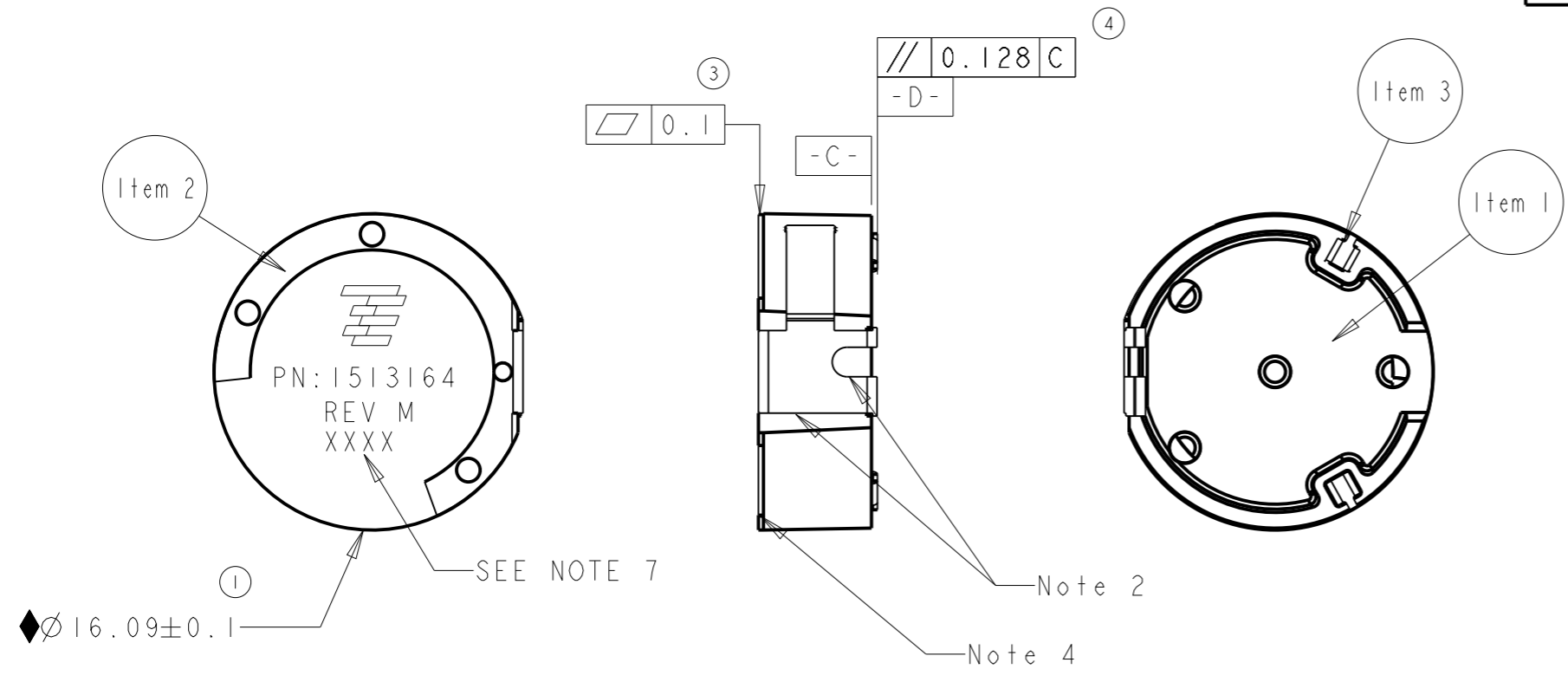


THIS DRAWING IS UNPUBLISHED. RELEASED FOR PUBLICATION 20
 © COPYRIGHT 20 BY - ALL RIGHTS RESERVED.

LOC	DIST	REVISIONS				
P	LTR	DESCRIPTION	DATE	DWN	APVD	
HQ	00	M1	REVISED PER ECO-11-005027	12MAR2011	RK	HMR
		M2	REV PER ECO-14-008663	10JUN2014	KF	PG



NOTES:

1. Material- Dupont Zenite 6130L BK010
2. General tolerance block applies unless otherwise specified.
3. Part is RoHS compliant per TE CONNECTIVITY standard TEC-138-702
4. Part will be identified with part number, rev letter, TE logo and 4 digit date code. 1st two digits for the year and the 2nd two digits for the week.
5. Consult TE CONNECTIVITY data sheet 1513164

◆ ONGOING STATISTICAL PROCESS CONTROL REQUIRED (TOTAL 2 PCS.)

1513164-1
 SCALE 2:1

THIS DRAWING IS A CONTROLLED DOCUMENT.		DWN MAH 29JAN2007		
DIMENSIONS: mm		CHK -		
TOLERANCES UNLESS OTHERWISE SPECIFIED:		APVD -	NAME	
0 PLC ±0.10	1 PLC ±0.10	PRODUCT SPEC -	2.4/5 GHz Dual Band Antenna	
2 PLC ±0.05	3 PLC ±0.05	APPLICATION SPEC -	SIZE A3	CAGE CODE 00779
4 PLC ±0.01	ANGLES ±1°	WEIGHT -	DRAWING NO	RESTRICTED TO
MATERIAL -	FINISH -	G=1513164		-
CUSTOMER DRAWING			SCALE 3:1	SHEET 1 OF 2
				REV M2

4

3

2

1

THIS DRAWING IS UNPUBLISHED.

RELEASED FOR PUBLICATION

20

© COPYRIGHT 20

BY -

ALL RIGHTS RESERVED.

LOC

DIST

REVISIONS

HQ

00

P

LTR

DESCRIPTION

DATE

DWN

APVD

SEE SHEET 1

SECTION Z-Z

(6.35)

(3.35)

(4.00)

(2.00)

(Ø1.50)
TYP

(1.75)

(11.50)

(24.00)

(12.00)

(24.00)

1 ORIENT PARTS AS SHOWN.

2. PARTS ARE COMPLIANT TO RoHS STANDARDS PER
TE CONNECTIVITY STANDARD TEC-138-702.

3. ALL INFORMATION ON THIS DRAWING IS CONFIDENTIAL
AND PROPRIETARY TO TE CONNECTIVITY.

THIS DRAWING IS A CONTROLLED DOCUMENT.		DWN MAH	29JAN2007		
DIMENSIONS: mm		CHK -	APVD -		
		TOLERANCES UNLESS OTHERWISE SPECIFIED:		PRODUCT SPEC -	RESTRICTED TO -
MATERIAL -		FINISH -		APPLICATION SPEC -	SIZE A3
				WEIGHT -	CAGE CODE 00779
				CUSTOMER DRAWING	DRAWING NO C-1513164
				SCALE 3:1	SHEET 2 OF 2
				REV M2	

1470-19 (3/11)